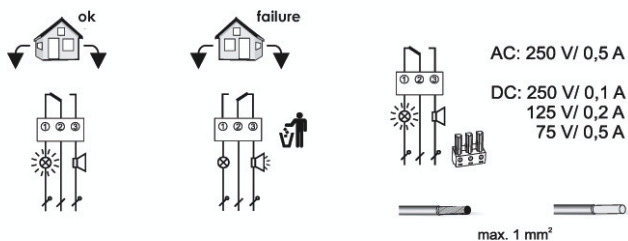


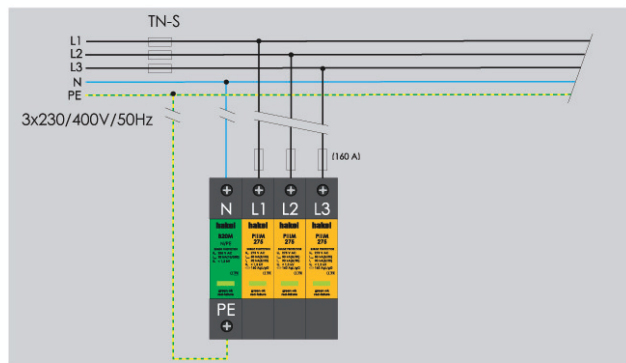
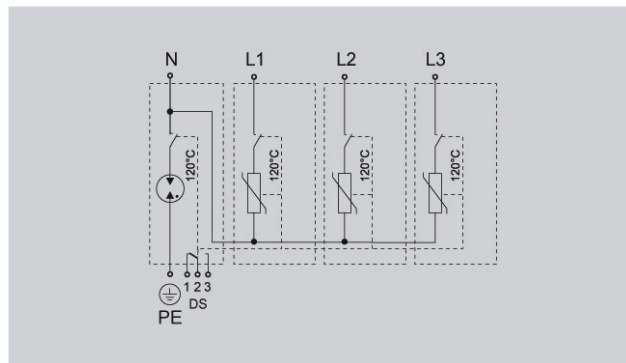
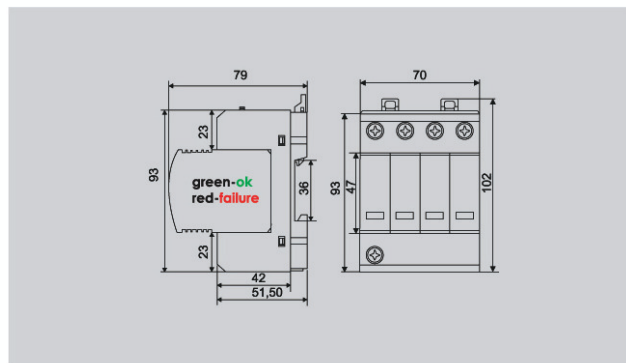


Connection of potential - free remote monitoring



TYPE 2

4-pole MOV lightning arrester



SURGE ARRESTERS - VARISTOR

PIIIM-275/3+1 Vseries

- » varistor arrester type 2
- » 4-pole arrester
- » 3-phase power supply network TN-S, TT
- » LPZ 1-2
- » I_{max} 50 kA
- » M - spare module
- » DS - remote monitor (optional)

Type PIIIM-275/3+1, PIIIM-275 DS/3+1		Vseries	
Max. continuous operating voltage	U_c	275 V AC	
Max. discharge current (8/20) L/N	I_{max}	50 kA	
Nominal discharge current (8/20) L/N	I_n	20 kA	
Voltage protection level at I_n	U_p	<1,3 kV	
Nominal discharge current (8/20) N/PE	I_n	20 kA	
Lightning impulse current (10/350) N/PE	I_{imp}	20 kA	
Temporary overvoltage (TOV) L/N	U_T	335 V/5 sec	
Temporary overvoltage (TOV) N/PE	U_T	1200 V/0,2 sec	
Response time L/N	t_A	< 25 ns	
Response time N/PE	t_A	< 100 ns	
Max. back-up fuse		160 AgL/gG	
Short-circuit withstand capability at max. back-up fuse 160 A gL/gG	I_p	60 kA _{rms}	
Lifetime		min. 100 000 h	
Weight	m	346 g	
Article number			
PIIIM-275/3+1		27 022	
PIIIM-275 DS/3+1		27 023	



Varistor-based spare module

PIIIM-275/M	Art. No.	27 044
-------------	----------	--------



GDT-based spare module

B20M/M	Art. No.	27 049
--------	----------	--------