



## LFM110 – Air Differential Pressure Transmitter

Air differential pressure transmitter, dip-switch selectable measuring range, with or without display

**LFM110-NAC**  
**LFM110-OAC**

Without display  
With display

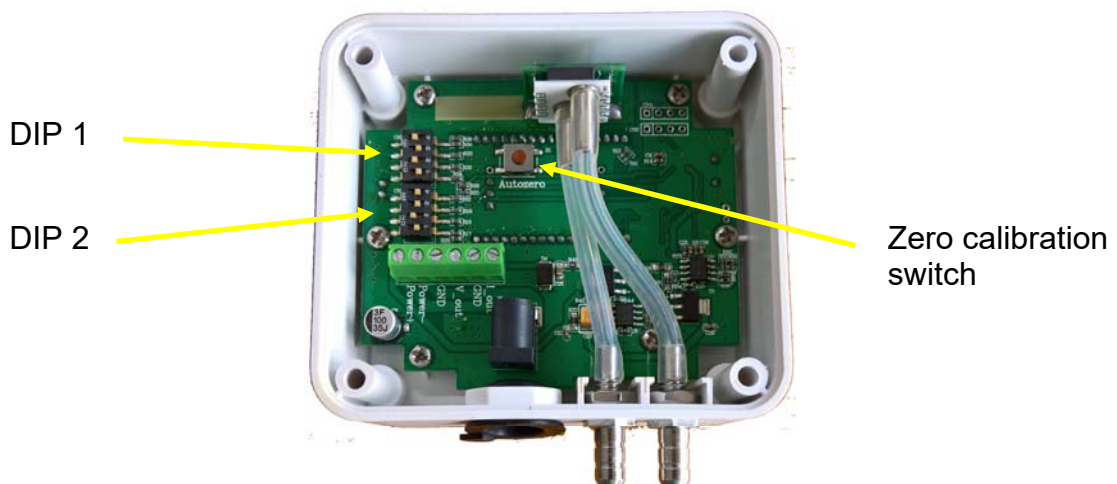
Common features:

- 0...1000Pa full range, dip-switch settable:
  - 0... 100 / -50... 50
  - 0... 250 / -125... 125
  - 0... 500 / -250... 250
  - 0... 750 / -375... 375
  - 0... 1000 / -500... 500
- 4...20mA & 0-10Vdc outputs (simultaneous)
- Auto zero at power-up (selectable)
- IP65, ABS housing

### Typical Applications

- AHU pressure regulation with VFD
- Duct floor level and zone Pressure Regulating Damper control
- Stair pressure regulation with VFD
- Static or differential pressure indication, locally (display version) and remotely

### Setting Facilities



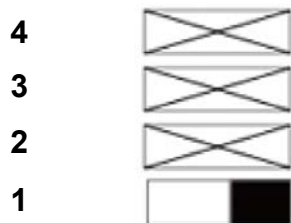


## Range Setting (DIP 1)

	Pa	mmH <sub>2</sub> O	mbar	inWG	mmHG	daPa	KPa	hPa
	100	10.0	1.00	0.40	0.75	10.0	0.100	1.00
	250	25.0	2.50	1.00	1.87	25.0	0.250	2.50
	500	50.0	5.00	2.00	3.750	50.0	0.500	5.00
	750	75.0	7.50	3.00	5.62	75.0	0.750	7.50
	1,000	100.0	10.0	4.00	7.50	100.0	1.000	10.00

## Full Range/Central Zero Setting (DIP 1)

Using 0...1000Pa range as example:



Full Range (0...1000Pa)

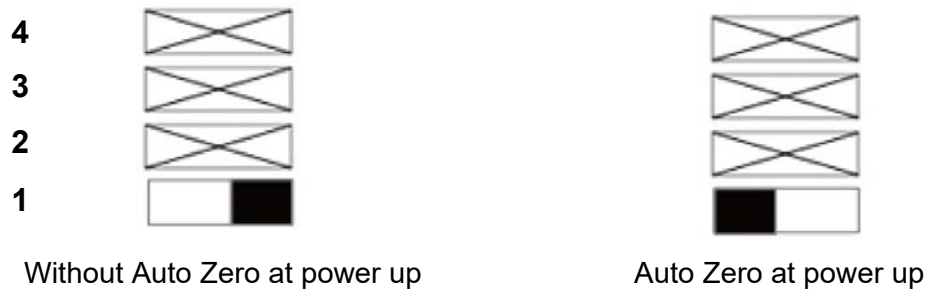


Central Zero (-500...500Pa)

### Units Setting (DIP 2)

	Pa	mmH <sub>2</sub> O	mbar	InWG
4				
3				
2				
1				
	mmHG	daPa	KPa	HPa

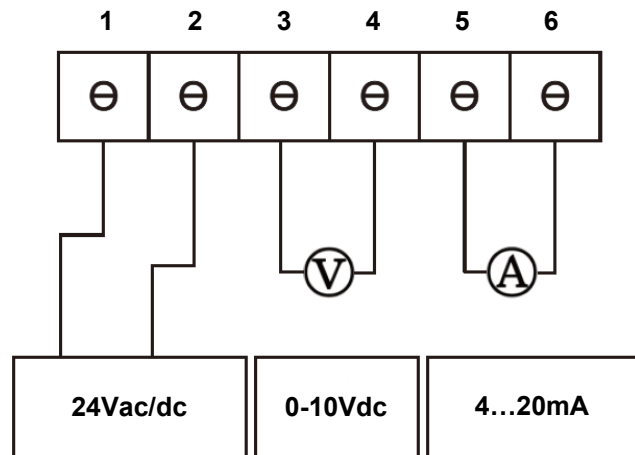
### Auto Zero Setting (DIP 2)



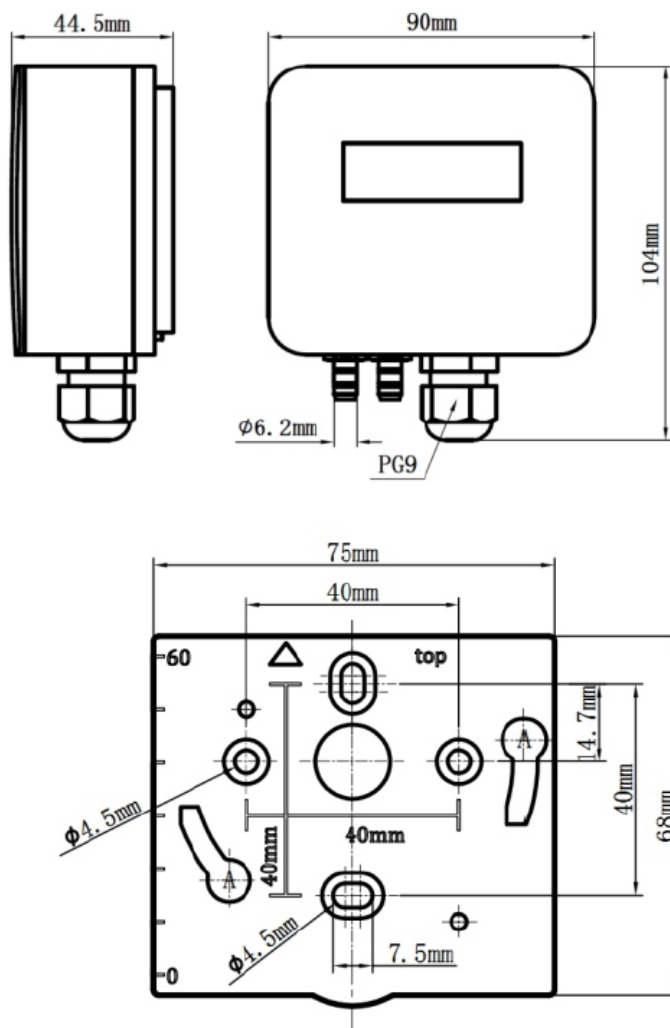
If Auto Zero at power up is not applied, you may still zero the device by pressing the Auto Zero button inside the sensor.

In either case, ensure there is no pressure differential at the time of zeroing!

## Connections



## Dimensions





---

## Technical Data

Power Supply: 16...30Vac/dc  
Accuracy:  $\pm 1\%$  FS  
Media: Air & neutral gases  
Rated Over-pressure: 15kPa  
Measuring Range: Scope -1000...1000Pa, scalable by DIP switch  
Units Choice: Pa, mmH<sub>2</sub>O, mbar, inWG, mmHG, daPa, KPa, hPa  
Outputs: Dual 0-10Vdc & 4...20mA  
Response Time: 20ms  
Zero Calibration: Auto at power up or manual via push-button  
Operating Temperature: -10°C...60°C  
Storage Temperature: -10°C...70°C  
Humidity Range: 15...95% rH  
Housing Material: ABS  
Housing Fire Resistance: UL94-V0  
Protection Rating: IP65

---